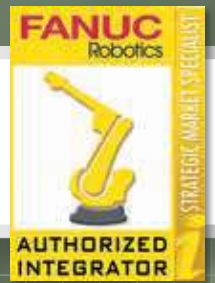


# PB-50 Produce Bulk Bagger



- Saves on manual labour
- Fully automatic
- Fast bag changeover
- Proven technology and reliable performance
- Customized to suit applications
- Machine sets bagging pace
- Fast payback



Wicketed Baggers



Hot Air Sealers



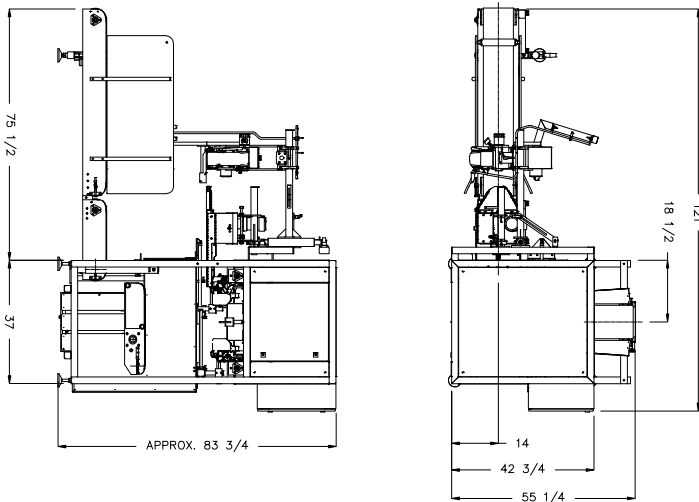
Robotic Palletizers



Master Balers



# PB-50 Produce Bulk Bagger



Dimensions are approximate and for reference purposes only.  
Consult factory for full engineering details.

## FEATURES

- OMRON P.L.C. with ethernet IP and touch screen
- Bilingual menus
- Epoxy coated painted frame
- Adjustable bag wicket
- Automatic hands-free loading of poly, paper and mesh bags
- Integrated “hands-free” feeding to closing device
- Bag Sense, “no bag, no dump”, ensures bag is in place avoiding spills
- NEMA 4 electrically certified control panel with dual channel safety
- Motorized Bag Saddle Conveyor (150 fpm)
- High speed intermediate takeaway conveyor with bag top transfer and feeding device
- High speed bag support conveyor
- Powered conveyor and chute for product delivery to bag
- 2 year limited product warranty on parts

The **PB-50 Produce Bulk Bagger** is designed to open the Master Bag to receive a charge from the weighing device and then automatically present the upright bag into a closing station.



## JMC/FANUC Robotic Palletizing Systems for total automation!

- Speed
- Reliability
- Flexibility
- Low maintenance
- Fully integrated turnkey systems



## JMC FuseAire 4 Hot Air Sealer

- Provides perfect closing system
- Low maintenance
- Uses no consumables
- Safe and easy to use
- Over 500 in use

## OPTIONAL FEATURES

- JMC FuseAire 4 Hot Air Sealer
- Fully integrated “swing away” sewing head option
- Semi-automatic mesh bale bag placer
- Automatic mesh bale bag placer
- Bag kicker

## SPECIFICATIONS

- Power: 230/460 volt 3 PH. 60 Hz (min. 208 V)
  - other voltages available at additional cost
- Air: 4 CFM @ 80 PSI
- Approx. shipping weight: 1200 lbs.
- Capacity of 50+ lbs.

Manufactured for the world market by:



## JMC AUTOMATION IN PACKAGING

3470 Mainway  
Burlington, Ontario, Canada L7M 1A8  
Toll-free: 1-800-263-5252  
If busy, call: (905) 335-4196  
Fax: (905) 335-4201  
Website: [www.jmcpackaging.com](http://www.jmcpackaging.com)

Represented By: