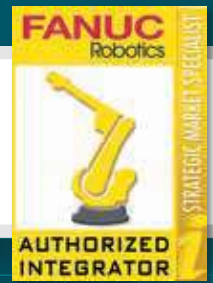


Automatic Bulk Ice Bagger



Touch Screen

Models
BB-1600
BB-1700



BB-1600 with
 Mobility Kit

- Saves on manual labour
- Fully automatic
- Fast bag changeover
- Proven technology and reliable performance
- Customized to suit applications
- Machine sets bagging pace
- Fast payback



Wicketed Baggers



Robotic Palletizers

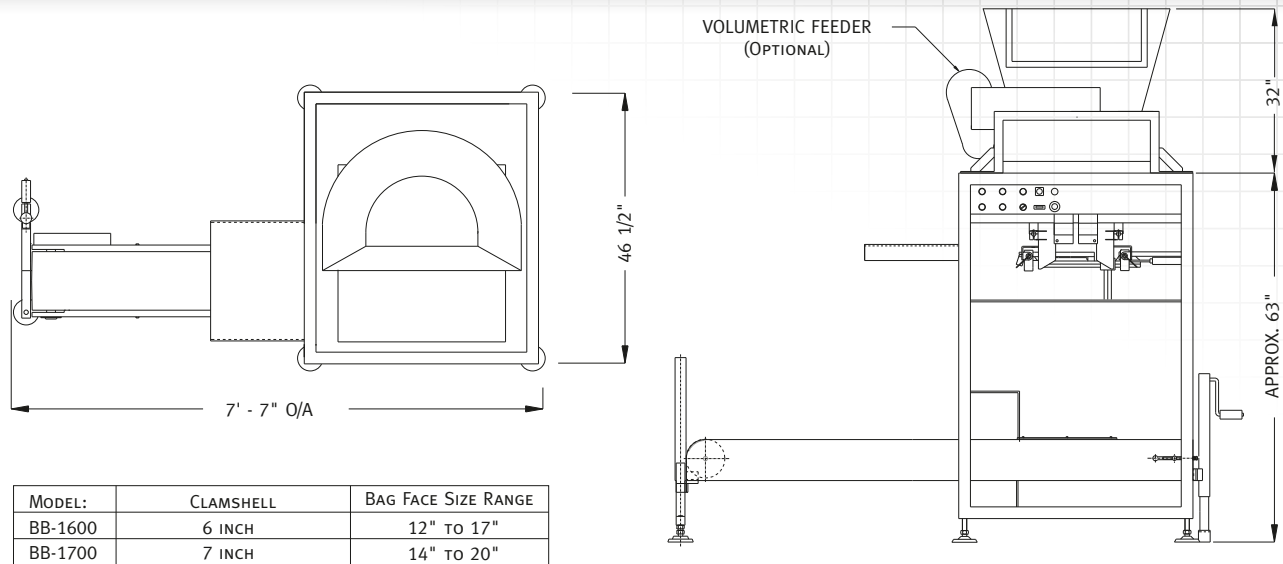


Hot Air Sealers



Master Balers

Automatic Bulk Ice Bagger



MODEL:	CLAMSHELL	BAG FACE SIZE RANGE
BB-1600	6 INCH	12" TO 17"
BB-1700	7 INCH	14" TO 20"

Dimensions are approximate and for reference purposes only. Consult factory for full engineering details.

The **Automatic Bulk Ice Bagger** is designed to open the Master Bag to receive a charge from the volumetric feeder and then automatically present the upright bag into a closing station.

FEATURES

- P.L.C. (programmable logic controller)
- Adjustable conveyor height
- Adjustable bag wicket
- Bag inflation system
- Bale pusher with bag transport grippers
- Take away conveyor
- Stainless steel panels and contact parts
- Integral electrical control panel
- Levelling feet
- Bagging speed selectable on touch screen
- Bag sense "no bag-no dump"
- Volumetric feeder
- Stainless steel finish

OPTIONAL FEATURES

- JMC FuseAire 4 Hot Air Sealer
- JMC Bag Kicker with longer T.A.C. to accommodate palletizer
- Spare Parts Kit
- Mobility Kit
- Epoxy powder baked finish

SPECIFICATIONS

- Power: 230/460/550 volt 3 PH. 60 Hz (min. 208 V)
- Air: 4 CFM @ 80 PSI
- Approx. shipping weight: 1200 lbs.
- Capacity of volumetric-adjustable up to 10lb maximum per dump

Manufactured for the world market by:



JMC AUTOMATION IN PACKAGING

3470 Mainway
 Burlington, Ontario, Canada L7M 1A8
 Toll-free: 1-800-263-5252
 If busy, call: (905) 335-4196
 Fax: (905) 335-4201
 Website: www.jmcpackaging.com



Represented By: